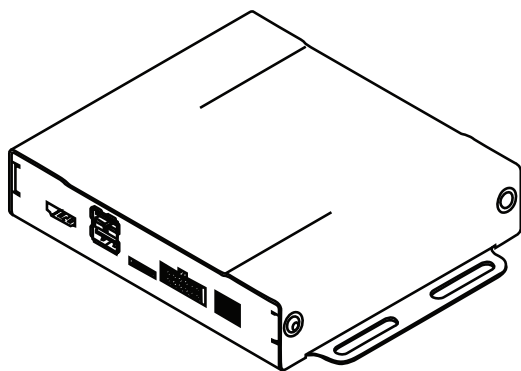


VLine



INSTALLATION MANUAL

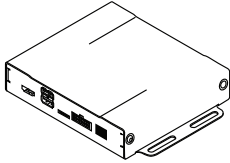
VOLSC

CONTENTS

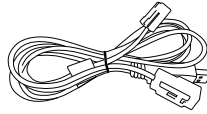
Package contents.....	3
CHAPTER 1 — INSTALLATION.	3
1.1 Before Installation	3
1.2 Tools	3
1.3 Vehicle Installation	3
1.4 Safety Guidelines & Appropriate Use	4
Connect supplied GVMF display cable to factory LCD display.	5
Connect VLine Interface cable MCFVOLSC to factory stereo.	6
Connect VLine USB cable WLVOLSUSB to factory stereo.	7
Installing the optional touchscreen overlay.	8
Connecting to VLine.....	8
Routing the GPS antenna.	9
Using the factory microphone.....	10
Mounting the VLine module.....	11
Understanding VLine Ports.	12
CHAPTER 2 — GETTING STARTED.....	11
SUPPORT.	13
WARRANTY.	13
EIGHTEEN MONTH (18) LIMITED WARRANTY	
GRANT OF LICENSE.....	14
OPERATIONAL WARNING AND SAFETY INSTRUCTIONS.	15

GROM-VLINE SYSTEM

PACKAGE CONTENTS



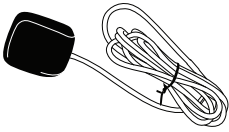
VLine module



GVMF
Display Harness



MCFVOLSC
Power Harness



GPS Antenna (VL2 only)



WLVOLSUSB Cable



USB Extension
cable

CHAPTER 1 — INSTALLATION

1.1 Before Installation

Before starting work with any wiring, please wait 90 seconds after turning the Ignition to the OFF position and disconnecting the negative (-) terminal of the battery. This is to ensure that no SRS airbags faults are triggered during the installation when disassembling the vehicle's panels and wiring connections for the VLine VL2 module installation.

Please review the entire manual to familiarize yourself of the VLine VL2 module and the installation requirements before installing the unit and using it.

1.2 Tools

Have Tools ready for disassembling the dashboard panels to remove the stereo.

Some basic tools will be required for stereo removal and installation, Plastic prying tools, Phillips head screwdriver, 10mm socket and ratchet. Additional tools may be required depending on vehicle and installation preference.

1.3 Vehicle Installation

Each model vehicle disassembles differently. The removal of the stereo and

wiring installation requires special technical skills and experience. If you do not feel comfortable doing the installation please consult with your local car audio shop or installation professional for instructions or assistance if necessary.

Carefully remove the factory stereo and display out of the dash cavity with proper tools.

It may be necessary to disconnect items surrounding the stereo and display to remove them and gain access to the back of the stereo to make your connections.

1.4 Safety Guidelines & Appropriate Use

By using VLine you agree:

- to operate VLine only when there are safe driving conditions;
- to follow any applicable state and traffic laws;
- to keep an eye on the road at all time while driving;
- do not attempt to play video (such as YouTube) on a display while the vehicle is in motion;
- do not use VLine without running the engine for the extended period of time as it can drain the battery.

Do not use Vline in a manner that would distract the driver or that may otherwise cause injury or death to vehicle occupants or bystanders.

IT IS ILLEGAL IN MOST STATES OF THE UNITED STATES AND MAY BE ILLEGAL IN OTHER JURISDICTIONS FOR ANY TELEVISION OR OTHER VIDEO DISPLAY, STREAM, TRANSMISSION OR BROADCAST TO BE VISIBLE TO THE DRIVER WHILE THE VEHICLE IS IN MOTION. YOU AGREE NOT TO USE ANY VISUAL COMPONENT OF VLine WHILE IN CONTROL OF A MOVING VEHICLE WHERE DOING SO WOULD BE ILLEGAL OR DANGEROUS TO VEHICLE OCCUPANTS OR BYSTANDERS. DOING OTHERWISE CAN LEAD TO SERIOUS INJURY OR DEATH TO YOU AND OTHERS. PLEASE FIND A SAFE PLACE TO PARK AND ENGAGE THE PARKING BRAKE BEFORE VIEWING ANY VIDEO DISPLAYS, STREAMS, TRANSMISSION, OR BROADCAST AVAILABLE THROUGH VLINE.

Watch the installation video prior to attempting the install:

https://bit.ly/volscvl2_install

Connect supplied GVMF display cable to the factory LCD display

Once you disassemble the dashboard to get to the back of the stereo and display, locate BLUE display port at rear of the factory Volvo LCD display.

Disconnect the factory display cable (typically blue in color), connected to the back of the display. Then plug in supplied GVMF Y-cable and reconnect disconnected cable into female plug of the supplied GVMF display cable.

Make sure to connect the GVMF video cable to the back of the **factory display**, and not to the back of the stereo. If you will connect the GVMF cable to the back of the stereo, the VLine will not show up on the screen!

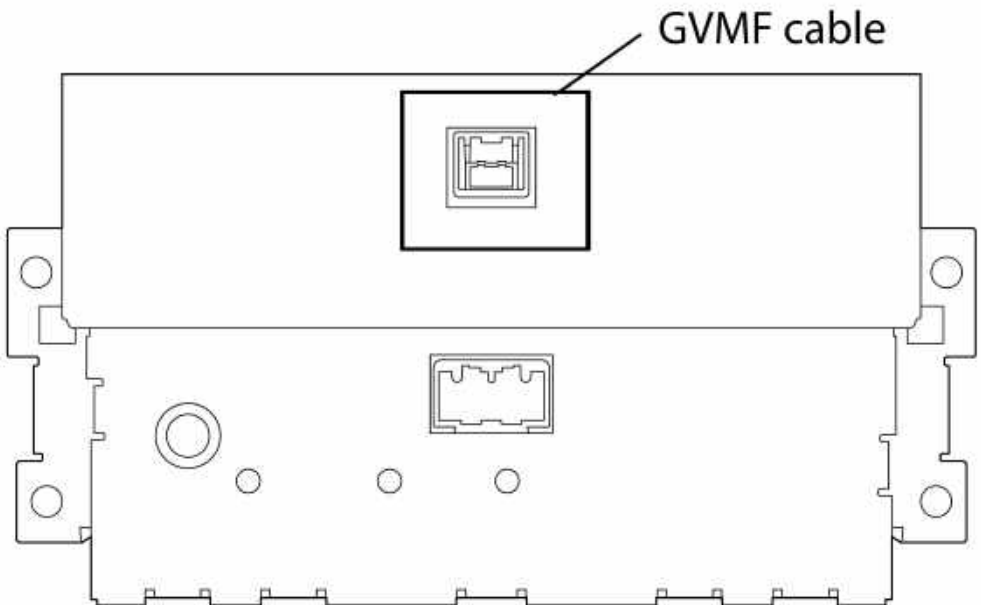


Illustration 1 - back of the Volvo LCD display

Connect VLine interface cable MCFVOLSC to the factory stereo

Disconnect all cables from the back of the stereo. To disconnect the main stereo harness, gently release the clip and pull back on the lever (1). See illustration 3, main stereo harness.

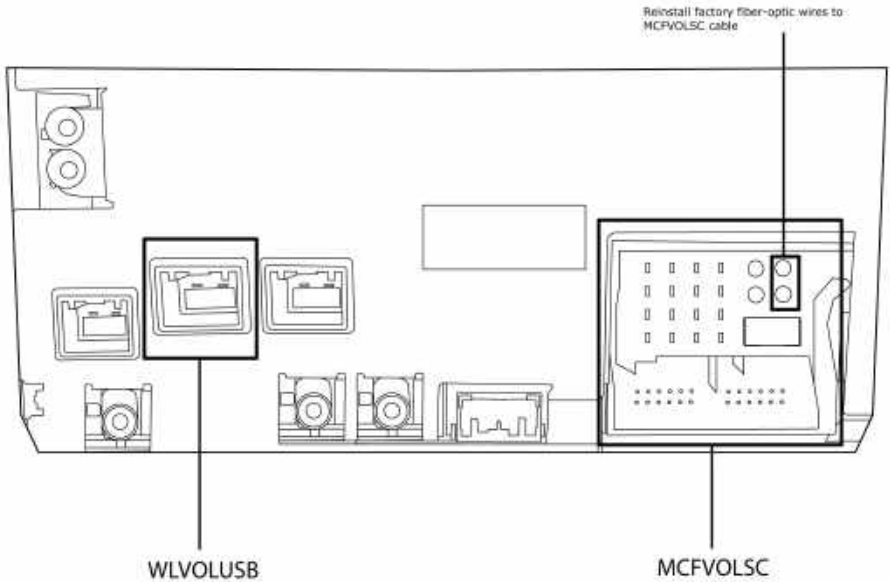


Illustration 2 - back of Volvo stereo

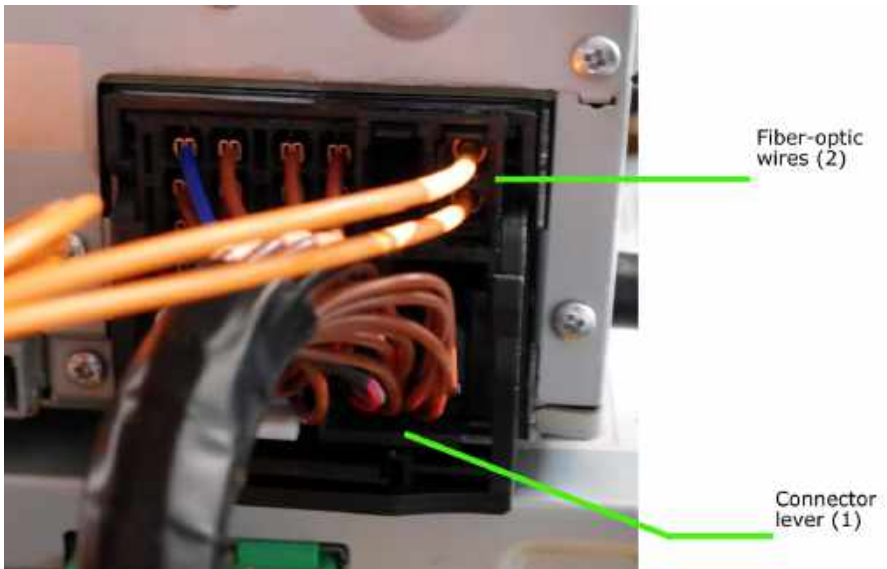


Illustration 3 - main stereo harness

Remove the fiber-optic wires from main stereo harness quadlock by gently pressing on the small clip on top of the fiber-optic connector, and sliding the wires and the connector out.



Illustration 4 - fiber-optic connector

Place the fiber-optic wires and connector inside MCFVOLSC quadlock connector, into the exactly the same spot as it was on the factory quadlock connector. See Illustration 4 for the location.

Connect the MCFVOLSC quadlock connector, with re-attached fiber-optic cables, back to the factory stereo. Press down gently on the connector lever (1), Illustration 3, to secure the connection.

Reconnect the disconnected factory harness quadlock connector back to the female end of MCFVOLSC VLine power cable, gently press down the connector lever to secure the connection.

Connect VLine USB cable WLVOLSUSB to the factory stereo

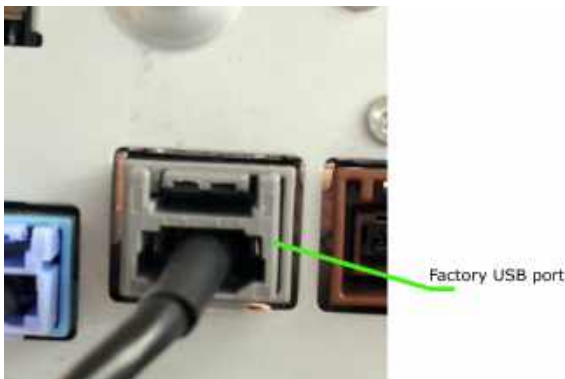


Illustration 5 - USB port at the back of the stereo

Locate factory USB port at the back of the stereo. It is usually GRAY in color (Illustration 5). Disconnect the factory USB cable from that port, and connect WLVOLSUSB VLine cable. Leave the factory USB cable disconnected.

Factory USB cable will no longer work. You will get the USB function via VLine VL2 System.

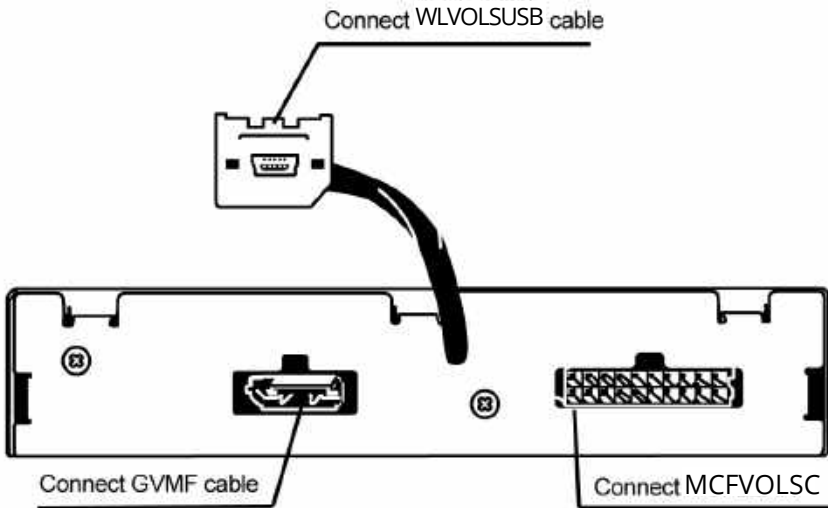
Installing the optional touchscreen overlay

If you decide to install an optional touchscreen overlay (V-VOLSRTH) to add touchscreen functionality to your factory Volvo LCD display, please follow the installation instructions supplied with the touchscreen overlay package. You must install and connect the touchscreen before mounting the display and the stereo back.

Please note the touchscreen overlay is optional. The VLine VL2 system works with the factory knob control and buttons.

Connecting to VLine

Carefully route the unused ends of MCFVOLSC, WLVSUSB, and GVMF cables to the VLine module and connect them to the correctly labeled ports.



Watch the installation video:

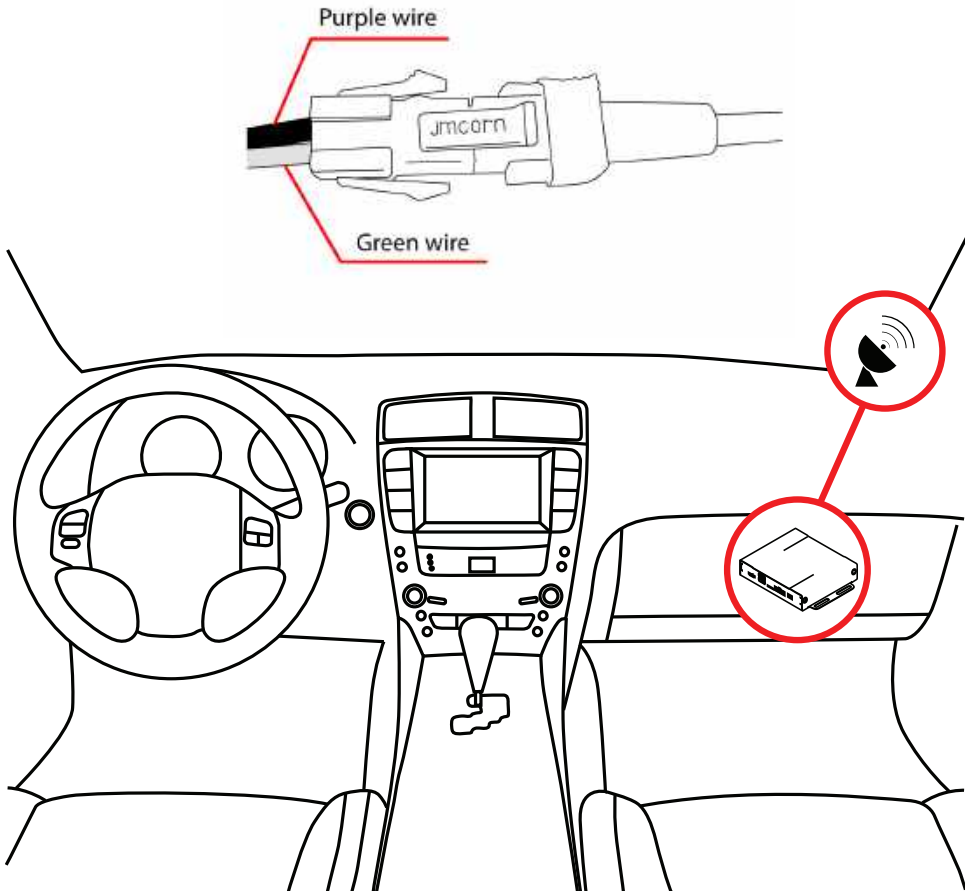
https://bit.ly/volscvl2_install

Routing the GPS antenna

The GPS Antenna module is magnetic and supplied with double-sided tape. You can mount it to the top of the dashboard, so there are no metal parts that obstruct the signal. We recommend mounting it inside the vehicle on the passenger side of the dashboard, as shown below. **Do not leave it inside the glove box.** Make sure the GPS antenna faces up, and there are no obstructions in front of it.

Plug the GPS antenna into the VLine VL2 Camera AV1 port. Plug the GPS antenna into the VLine VL2 Camera AV1 port.

If using VAUX cable: Plug VAUX cable into the CAMERA AV1 on VLine. Unplug GPS from the 10-pin to 4-pin adapter, and plug the GPS into VAUX with the purple and green wires facing up.



Using the factory microphone

VLine VL2 for Volvo will use a factory microphone for its operation. Connect 3.5mm male connector from the power interface harness (MFCVOLSC) to the microphone port of VLine (see p. 9 for reference).

No additional steps are needed to connect or operate VLine with the vehicle factory microphone. Instead, follow to the guidelines in the User Manual.

Adjusting microphone gain for CarPlay® or Android Auto®

1. Go to the VLine home screen, tap on three horizontal lines in the upper left corner of the screen and open the "Settings."
2. While in "Settings," scroll down to the bottom of the screen.
3. Hit AUTO on the screen to automatically adjust the microphone gain.
4. Follow the instructions on the screen and adjust the microphone gain.

We usually recommend setting the microphone gain to 30-45 for factory mic.

Reconnect disconnected cables back to the car stereo

Carefully reconnect all disconnected cables back to the car stereo and display. Leave the factory USB disconnected (see p.7).

Testing VLine operation

Test VLine operation before fully mounting the LCD display, stereo and dashboard. **WARNING:** Make sure to reconnect all unplugged connectors back to the vehicle before cycling the ignition.

Cycle the ignition and enter the iPod mode of your stereo. Next, press MEDIA and use the knob control to get to the iPod mode.

If VLine appears on the screen, and all factory functions such as climate controls, reverse camera, and AM/FM radio, are working, you can mount the display, stereo and dashboard. If not, see Installation Troubleshooting section below.

Installation Troubleshooting

1. There is no VLine on the display, or the display is black. Check the GVMF cable to ensure you connected it at the back of the LCD display, and not at the back of the stereo. Make sure you reconnected the originally connected display cable back to the VLine GVMF female end.

2. The stereo does not “see” VLine connected.

Check to ensure that you reconnected the fiber-optic cables to the correct spot on MCFVOLSC cable. See p. 6-7

3. The iPod source is not appearing on your radio.

Please confirm the connections of the “WLVOLSUSB” cable are fully seated and making a good connection.

3. Some of the original factory features are not working after connection of VLine system.

Ensure you reconnected all disconnected cables back to the car stereo and dashboard.

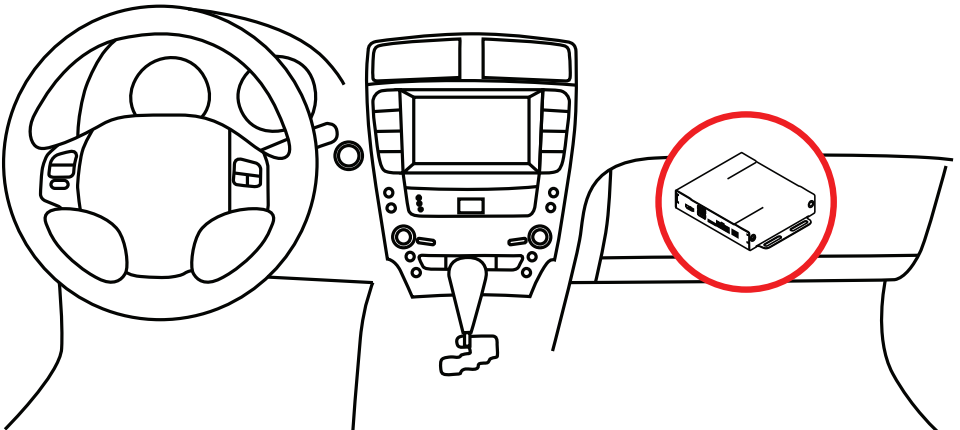
Mounting the VLine Module

Mount the VLine main module in an easily accessible location, such as the glove compartment, for easy access to the USB ports and to upgrade firmware on the VLine module. **Do not leave the unit inside the dashboard**, as it can damage the unit and its **Bluetooth** antenna and affect the Bluetooth / Wifi reception.

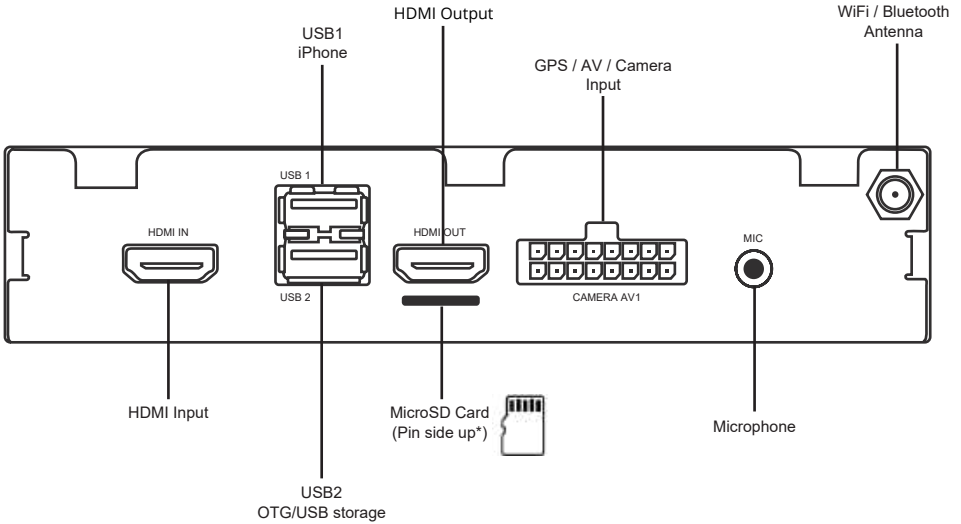
Mounting Video Cable and Securing VLine

Important: Do not bend or pinch the video cable GVMF to avoid problems with the video signal. There should be no bends to the video cable next to the connectors that go to the back of the stereo or VLine, and no sharp bends anywhere else.

Secure VLine with zip ties, velcro, or mounting brackets to ensure the VLine does not bounce or move while the vehicle is in motion.



Understanding VLine Ports



USB1

iPhone connection

Any other USB device (Keyboard / Mouse)

USB2

USB flash drive

Any USB device (Android, Keyboard / Mouse)

MicroSD

Insert microSD card (*pin side up) to increase storage space for Vline (up to 128GB supported). The microSD should be formatted FAT32. File system format exFAT and NTFS are not supported.



HDMI IN

HDMI input connection to connect external video sources.
(add plugin to Dashling Launcher to use feature)

HDMI OUT

HDMI Output connection to connect external displays. The HDMI Output will match the VLine's video feed and resolution, be sure your external display can handle those properly.

MIC

Microphone input, Connect 3.5mm Mono Microphone

CHAPTER 2 — GETTING STARTED

2.1 Functions

The GROM VLINE emulates the factory iPod mode of your stereo. Factory iPod via USB mode will be disabled with the installation of the VLine VL2 system. No other factory functions of the stereo will be disabled.

Press the **MEDIA** button and select **iPod** to access the VLine mode.

2.2 Using factory knob control to navigate VLine

You will use factory knob control to navigate the VLine VL2 and CarPlay / Android Auto icons.



2.3 Adjusting Audio Bass, Treble, Balance/Fade for VLINE Mode

Use the Factory UI icon to get to the factory UI and adjust sound settings. While in the VLine VL2 main screen, press on empty PLUS sign and go to Shortcuts --> Factory UI. Press on the Factory UI to get the shortcut icon to the main VLine screen. Tap on the Factory UI icon, and the stereo will switch from the VLine interface into factory iPod interface. While in the factory iPod interface, you can adjust audio settings.

Press FM and then MEDIA --> iPod on the stereo to switch back into the VLine VL2 interface mode.

2.4 How to switch to other media source or factory NAV

You will need to use the Factory UI icon to get to the factory UI and then switch to a different factory media mode or the factory NAV. While in the VLine VL2 main screen, press on an empty PLUS sign and go to Shortcuts --> Factory UI. Press on the Factory UI to get the shortcut icon to the main VLine screen. Tap on the Factory UI icon, and the stereo will switch from the VLine interface into factory iPod interface. While in the factory iPod interface, press the MEDIA button and select any other media source, or use factory NAV.

Press FM and then MEDIA --> iPod on the stereo to switch back into the VLine VL2 interface mode.

2.5 Key mappings

You can assign certain stereo keys to work with the VLine VL2 system. It will add extra convenience as you will be able to quickly activate map, media, or exit to the main screen, while in the VLine VL2 or CarPlay / Android Auto.

The following keys of Volvo stereo are currently available for you to use: NAV, FAV and GLOBE buttons.

To assign the keys, tap on the three horizontal lines in the upper left hand corner, while on the VLine VL2 main screen, and then tap on Key Mappings. Select the specific function and press the button on the stereo that you want to use for this function.

3. CarPlay® and Android Auto® setup

3.1 How to setup wireless CarPlay®

1. Turn on the Bluetooth on your VLine. Go to Support --> Bluetooth.
2. Turn on the Bluetooth in the iPhone® settings;
3. Select the grayed-out CarPlay® icon on the VLine home screen; your phone will be listed below "Wireless CarPlay Devices".
4. Tap or select your phone in the list of Wireless CarPlay Devices; the VLine will start to connect to your iPhone®.
5. In a few seconds you will see the "Tap to Pair" popping up on the VLine screen. Make sure that you check "Allow iPhone to access your contacts and call history".
6. The iPhone will also receive two pop-up notifications- request to pair to VLine, and next "Use CarPlay with VLINE2?" Make sure to hit pair for the first pop-up, and "use for CarPlay" for the second.
7. The message on the VLine screen under your iPhone's name will change to "Connecting...". In a few seconds the status will change to "Connected".
8. The CarPlay UI (user interface) will automatically show on the car stereo screen. If it does not show automatically, tap on "Show UI" button in the upper right corner of the "CarPlay Settings" screen on VLine.

3.2 Common functions in CarPlay

1. Siri® voice commands

To activate Siri, press and hold the “NEXT TRACK” button on the steering wheel or car stereo. Make sure the Siri function is enabled on your iPhone.

2. Phone Calls

Phone calls can be handled using CarPlay. You can start the phone call using CarPlay menu or via Siri voice command. Make sure your iPhone is connected to VLine for phone calls. Check your iPhone’s Bluetooth settings if you experience any difficulties. Make sure you unpair your phone from the factory Bluetooth.

Tip: You can adjust microphone gain in VLine settings. The best performing position is usually around 35-45 for factory mic (see p.10).

3.3 Using CarPlay® wired - via USB

Plug the USB cable into the USB1 port of VLine. Make sure to use genuine Apple® USB to Lightning cables for best connectivity. Any cable over 6ft can cause issues.

3.4 Going back to the VLine main screen.

Use the GROM icon/app in the CarPlay® apps screen to go back to VLine VL2 main screen.

3.5 How to setup wireless Android Auto®

1. Turn on the Bluetooth on your VLine. Go to Support --> Bluetooth.
2. Turn on the Bluetooth in your Android® smartphone settings.
3. Select the grayed-out Android Auto® icon on the VLine home screen, and your phone will be listed below “Wireless Android Auto Devices”.
4. Tap or select your phone in the Wireless Android Auto Devices list, and the VLine will start connecting to your phone.
5. In a few seconds, you will see the “Tap to Pair” prompt that will pop up on VLine screen. Make sure that you check “Allow access to your contacts and call history”.
6. The phone will also receive the pop-up notifications- request to pair to VLine. Make sure to hit pair for the pop-up.
7. The message on the VLine screen under your phone’s name will change to “Connecting...”. In a few seconds the status will change to “Connected”.
8. The Android Auto UI (user interface) will automatically show on the car stereo screen. If it does not show automatically, tap on “Show UI” button in the upper right corner of the “Android Auto Settings” screen on the VLine.

3.6 Going back to the VLine main screen

Use the EXIT icon in the Android Auto apps page to return to the VLine main screen.

3.7 Wired Android Auto® connection - via USB

Plug the USB cable to any USB port of the VLine. Use high quality USB cables for the best connectivity. The maximum recommended length of the USB cable is 3FT.

3.8 Common functions in Android Auto®

1. OK Google® voice assistant commands

To activate Google voice assistant, press and hold the “NEXT TRACK” button on the steering wheel or car stereo. You can also use the button on the lower left corner of the Android Auto screen to activate voice assistant. Make sure the Google® voice assistant function is enabled on your smartphone.

2. Phone Calls

You will need to use the factory Bluetooth to make or receive the phone calls. You can still start the phone call using Android Auto® phone call menu.

Once your phone is paired to the factory car stereo, tap on that connection in your phone’s Bluetooth settings, and remove checkmarks from everything except “Phone calls”.

Troubleshooting

The Factory Display works but the VLine VL2 only shows a black screen in the iPod Source.

Check that the GVMF cable is connected behind the display and not behind the radio. See p.5.

CarPlay/Android Auto does not connect wireless.

Ensure you have the latest updates on the VLine by connecting the VLine to WiFi and going to: Settings -> System -> VLine System Updates -> Check For Updates.

CarPlay/Android Auto does not connect wired.

Ensure the cable you are using to connect the VLine and Phone is a high-quality cable, as CP/AA will show issues with lower-quality/ worn cables.

CarPlay/Android Auto does not connect wireless.

Check VLine’s Bluetooth antenna, make sure there are no metal parts around it that can affect the signal. Install the VLine main module inside the glovebox, and not inside the dashboard. See p. 11.

The factory display or VLine image is flickering.

Double check the GVMF cable is not bent or pinched between the VLine and the display. See p.11

SUPPORT

For technical support please visit us at www.gromaudio.com/support.html and fill out the form. For live support, please go to www.gromaudio.com.

Please check our FAQ at www.gromaudio.com/support/faq.html, videos and installs at www.gromaudio.com/installs/index.html.

WARRANTY

Eighteen (18) Month Limited Warranty

This warranty covers any supplied or manufactured parts of the product that, upon inspection by GROM Audio authorized personnel, is found to have failed in normal use due to defects in the material or workmanship. This warranty does not apply to the installation expenses. Attempting to service or modify this unit, operating this unit under conditions other than the recommended will render this warranty void.

Unless otherwise prescribed by law, GROM Audio shall not be liable for any personal injury, property damage and or any incidental or consequential damages of any kind (including water damage) resulting from malfunctions, defects, misuse, improper installation or alteration of this product.

All parts of this product are guaranteed for a period of 18 month as follows:

Within the first 18 months from the date of purchase, subject to the conditions above, GROM Audio will repair or replace the product at their discretion, if it is defective in the material or workmanship.

All customers should contact GROM Audio support team at <http://gromaudio.com/support.html> and obtain an RMA number and Return Instructions. All defective product returned to GROM Audio within warranty period must be accompanied by the original invoice (or copy). All shipping handling charges are non-refundable. Warranty does not cover normal tear and wear, damages due to negligence, improper installation, and operation.

WITHOUT RMA NUMBER THE RETURNS ARE NOT ACCEPTED!

LEGAL AGREEMENT and SAFETY DISCLAIMER

GROM AUDIO VLINE Infotainment Upgrade System (hereinafter referred to as 'GROM PRODUCT') and its related software. THIS IS A LEGAL AGREEMENT

BETWEEN YOU, AS "THE END USER", AND GROM Audio ("GROM"). PLEASE CAREFULLY READ THE TERMS AND CONDITIONS OF THIS AGREEMENT BEFORE USING THE GROM PRODUCTS. BY USING THE GROM PRODUCT AND THE SOFTWARE INSTALLED ON THE GROM PRODUCT, YOU ARE AGREEING TO BE BOUND BY THE TERMS OF AGREEMENT. SINCE GROM DOES NOT INSTALL THIS EQUIPMENT, GROM DISCLAIMS ANY LIABILITY FOR IMPROPER INSTALLATION OF THE GROM PRODUCT. FURTHER, THE END USER ACKNOWLEDGES THAT THE PRODUCT AND ITS SOFTWARE ARE NOT INHERENTLY DANGEROUS AND DO NOT PROVIDE ANY INHERENT RISKS AND THEREFORE POTENTIAL DAMAGES TO THE END-USER, OTHER THAN 'Fitness for its Purpose'. As manufacturers continuously develop and modify stereo receiver models, they may cause you to experience some technical difficulties. If the product does not operate properly, please contact technical department promptly at www.gromaudio.com/support.html

GRANT OF LICENSE

GROM grants to you a non-transferable, non-exclusive license to use the GROM PRODUCT and its software installed on the GROM PRODUCT (the "SOFTWARE") and the related documentation solely for your own personal use or for internal use by your business, only on such GROM PRODUCTS. You shall not copy, reverse engineer, translate, port, modify or make derivative works of the Software contained in the PRODUCT. You shall not loan, rent, disclose, publish, sell, assign, lease, sublicense, market or otherwise transfer the Software in the PRODUCT or use it in any manner not expressly authorized by this agreement. You shall not derive or attempt to derive the source code or structure of all or any portion of the Software in the PRODUCT by reverse engineering, disassembly, recompilation, or any other means. You shall not use the Software in the PRODUCT to operate a service bureau or for any other use involving the processing of data for other persons or entities. GROM and its licensor(s) shall retain all copyright, trade secret, patent and other proprietary ownership rights to the Software in the PRODUCT. You may transfer all of your license rights in the Software or the PRODUCT, the related documentation and a copy of this License Agreement And Warranty to another party, provided that the party reads and agrees to accept the terms and conditions of this License Agreement And Warranty.

OPERATIONAL WARNING AND SAFETY INSTRUCTIONS

(A) EXCEPT AS OTHERWISE CONTAINED HEREIN, the PRODUCTS and related documentation are provided to you, "AS IS". IN NO EVENT SHALL GROM BE LIABLE FOR ANY DAMAGES, CLAIM OR LOSS INCURRED BY YOU (INCLUDING WITHOUT LIMITATION, COMPENSATORY, INCIDENTAL, INDIRECT, SPECIAL, CONSEQUENTIAL, OR EXEMPLARY DAMAGES, LOST PROFITS, LOST SALES OR BUSINESS EXPENDITURES, INVESTMENTS, OR COMMITMENTS IN CONNECTION WITH ANY BUSINESS, LOSS OF ANY GOODWILL, OR DAMAGES. THE TERM 'INCIDENTAL DAMAGES' REFERS TO THE EXPENSES OF TRANSPORTING THE PRODUCTS TO THE GROM AUDIO SERVICE CENTER, LOSS OF THE END-USERS [ORIGINAL PURCHASER'S] TIME, LOSS OF THE USE OF THE PRODUCT, BUS FARES, CAR RENTALS OR OTHER COSTS RELATED TO THE CARE AND CUSTODY OF THE PRODUCT. THE TERM 'CONSEQUENTIAL DAMAGES' REFERS TO THE COST OF REPAIRING OR REPLACING OTHER PROPERTY, WHICH IS DAMAGED WHEN THIS PRODUCT DOES NOT WORK PROPERLY, RESULTING FROM THE USE OR INABILITY TO USE THE PRODUCTS, INCLUDING ANY DAMAGES INCURRED DUE TO THE NEGLIGENT OPERATION OF A MOTOR VEHICLE, IN CONJUNCTION WITH THE USE OF SAID PRODUCTS. THE END USER ACKNOWLEDGES ITS RESPONSIBILITY FOR THE USE OF THE PRODUCT. THE ADDITION OF GROM PRODUCTS AND ANY AFTER-MARKET EQUIPMENT MAY ENHANCE THE VALUE OF A VEHICLE OR CAUSE A THIRD-PARTY TO ILLEGALLY ATTEMPT TO REMOVE THE PRODUCTS AND AFTER-MARKET EQUIPMENT. GROM DISCLAIMS ANY LIABILITY RELATED TO SUCH THEFT AND POTENTIAL DAMAGE TO PROPERTY. IT IS THE END-USERS RESPONSIBILITY TO PROTECT ITS OWN PROPERTY. THE END-USER FURTHER ACKNOWLEDGES THAT THE OPERATION OF A MOTOR VEHICLE IS AN INHERENTLY DANGEROUS ACTIVITY, AND BY ITS USE OF GROM'S PRODUCTS, ACKNOWLEDGES THAT THE PRODUCTS ARE REMOTELY RELATED TO SAID MOTOR VEHICLE OPERATION, AND THUS ANY DAMAGES CAUSED TO THE DRIVER OF THE VEHICLE, THE VEHICLE ITSELF OR ANY THIRD-PARTY AND ITS PROPERTY IS NOT THE RESPONSIBILITY OF GROM, ITS AGENTS OR ITS PRINCIPALS AND IS THE SOLE RESPONSIBILITY OF THE DRIVER OF SAID VEHICLE.

YOU, THE END-USER, OR ANY OTHER DRIVER OF THE VEHICLE, IS SOLELY RESPONSIBLE FOR THE SAFE OPERATION OF THE VEHICLE AND THE SAFETY OF BOTH YOU AND THE PASSENGERS. FOR SAFETY PURPOSES, THE PRODUCT SHOULD NOT BE USED FOR THE DRIVER'S ENTERTAINMENT, WHILE THE VEHICLE IS BEING DRIVEN. SUCH USE COULD BE A DISTRACTION TO THE DRIVER, WHICH COULD CAUSE AN ACCIDENT LEADING TO SERIOUS

INJURY OR DEATH. IF YOU, THE END-USER ALLOW ANOTHER PERSON TO USE THE VEHICLE, IT IS YOUR RESPONSIBILITY TO THOROUGHLY BRIEF THAT OTHER USER, ON THE SAFETY REQUIREMENTS FOR OPERATING THE VEHICLE AND THE PRODUCTS INSTALLED THEREIN.

(B) SAID DISCLAIMERS SHALL APPLY TO THE USE OF SAID PRODUCTS, EVEN IF GROM HAS BEEN INFORMED OF, KNEW OF, OR SHOULD HAVE KNOWN OF THE LIKELIHOOD OF SUCH DAMAGES. THIS LIMITATION APPLIES TO ALL CAUSES OF ACTION IN THE AGGREGATE, INCLUDING WITHOUT LIMITATION: BREACH OF CONTRACT, BREACH OF WARRANTY, NEGLIGENCE, STRICT LIABILITY, MISREPRESENTATION AND OTHER TORTS. IF GROM'S WARRANTY DISCLAIMER OR LIMITATION OF LIABILITY SET FORTH IN THIS AGREEMENT SHALL, OR FOR ANY REASON WHATSOEVER, BE HELD UNENFORCEABLE OR INAPPLICABLE, YOU AND ANY OTHER END USER AGREE THAT GROM'S LIABILITY SHALL NOT EXCEED (70%) OF THE PRICE PAID FOR THE ENCLOSED GROM PRODUCT.

Some states do not allow the exclusion or limitation of incidental or consequential damages, so the above limitation or exclusion may not apply to you. This Warranty Disclaimer and Limitation of Liability shall not be applicable to the extent that any federal, state, or local law, which cannot be preempted, prohibits any provision of this Warranty.

Any use of the PRODUCTS where it is illegal to do so, may be used against you as evidence of negligence in the event of an auto accident or other traffic infraction.

By purchasing or otherwise obtaining GROM Product you agree:

- to operate GROM Products only when there are safe driving conditions;
- to follow any applicable state and traffic laws;
- to keep an eye on the road at all time while driving;
- do not attempt to play video (such as YouTube) on a display while the vehicle is in motion;
- do not use GROM Product without running the engine for the extended period of time as it can drain the battery.

You further agree to use the GROM Product in:

- a manner consistent with all applicable laws and regulations and this Agreement;

- a reasonable, safe and appropriate manner considering all the circumstances associated with that use.

You agree not to use the GROM Product:

- for any illegal, non-personal or unauthorized purpose,
- in a manner that could damage or cause risk to GROM Audio business, reputation, employees, customers, facilities, or to any third party,
- in a manner that would distract the driver or that may otherwise cause injury or death to vehicle occupants or bystanders.

GROM Audio is not in any way responsible for any such use by you. In all cases, GROM Audio may limit or revoke your use for any reason and at any time. Use of some GROM Product features while a vehicle is in motion may be against the laws of the jurisdiction in which you use the GROM Product. Use of some GROM Product features by the driver or by the vehicle occupants while a vehicle is in motion may also be distracting to the driver and could cause serious injury or death to vehicle occupants or bystanders. IT IS ILLEGAL IN MOST STATES OF THE UNITED STATES AND MAY BE ILLEGAL IN OTHER JURISDICTIONS FOR ANY TELEVISION OR OTHER VIDEO DISPLAY, STREAM, TRANSMISSION OR BROADCAST TO BE VISIBLE TO THE DRIVER WHILE THE VEHICLE IS IN MOTION. YOU AGREE NOT TO USE ANY VISUAL COMPONENT OF GROM Product WHILE IN CONTROL OF A MOVING VEHICLE WHERE DOING SO WOULD BE ILLEGAL OR DANGEROUS TO VEHICLE OCCUPANTS OR BYSTANDERS. DOING OTHERWISE CAN LEAD TO SERIOUS INJURY OR DEATH TO YOU AND OTHERS. PLEASE FIND A SAFE PLACE TO PARK AND ENGAGE THE PARKING BRAKE BEFORE VIEWING ANY VIDEO DISPLAYS, STREAMS, TRANSMISSION, OR BROADCAST AVAILABLE THROUGH GROM Product.

THIRD PARTY MATERIALS

Through GROM Product, you can access third party websites, databases, networks, servers, information, software, programs, systems, directories, applications, products or services (collectively, "Third Party Materials"). GROM AUDIO is not responsible for any Third Party Materials available through the Services. You acknowledge and agree that GROM AUDIO does not have or maintain any control over Third Party Materials and is not responsible for examining or evaluating the content, accuracy, completeness, timeliness, validity, copyright compliance, legality, decency, quality or any other aspect of

such Third Party Materials.

Third Party Materials may have their own terms of use and/or privacy policy, and may have different practices and requirements to those operated by GROM AUDIO with respect to GROM Product. You are responsible for reviewing any terms of use, privacy policy or other terms governing your use of these Third Party Materials, which you use at your own exclusive responsibility and risk. By using the Third Party Materials, you agree to comply with the use terms of the provider of such Third-Party Materials.

GROM AUDIO does not warrant or endorse and does not assume and will not have any liability or responsibility to you or any other person for any Third Party Materials or for any other materials, products, or services of third parties. By using the Third Party Materials, you agree to comply with the use terms of the provider of such Third-Party Materials.

LOCATION, MAPS, NAVIGATION AND TRAFFIC DATA

Location and traffic data provided by GROM Product is for basic navigational purposes only and is not intended to be relied upon in situations where precise location information is needed or where erroneous, inaccurate or incomplete location data may lead to death, personal injury, property or environmental damage. Real world traffic restrictions, advisories and conditions are always more important than guidance given by third party navigation/mapping data providers. Neither GROM Audio nor any of its content providers, guarantees the availability, accuracy, completeness, reliability, or timeliness of traffic information, navigation, or location data provided by the GROM Product. Always exercise the caution and common sense when using and relying on the navigation, location, maps and traffic data with GROM Product.

By using GROM Product you acknowledge that the maps, location, navigation and traffic data maybe inaccurate or outdated. You agree to hold GROM Audio harmless from any claims caused by inaccurate maps, location, navigation and traffic data. You further agree to use maps, location, navigation and traffic applications when it is safe to the driver, vehicle occupants and bypassers. GROM Audio is not responsible for any mobile data charges resulted from using GROM Product.

OTHER PROVISIONS

A. INDEMNIFICATION OF GROM AUDIO, ITS AGENTS AND EMPLOYEES. By Purchasing, Installing and Using the Products, You, the End- User, agree to indemnify, defend and hold harmless, GROM AUDIO, and its Affiliates, Directors, Officers, Agents and Employees from any Liabilities, Damage, Loss, Claim and Expense (including reasonable Attorney's Fees) arising out of the installation and use of the GROM Product.

B. EXCLUSION OF REMEDIES. TO THE MAXIMUM EXTENT PERMITTED UNDER APPLICABLE LAW, IN NO EVENT WILL GROM AUDIO OR ITS EMPLOYEES, DIRECTORS, OFFICERS AND OTHER REPRESENTATIVES BE LIABLE TO YOU OR ANYONE ELSE FOR ANY INDIRECT, SPECIAL, INCIDENTAL, PUNITIVE, EXEMPLARY OR CONSEQUENTIAL DAMAGES OF ANY KIND ARISING OUT OF OR IN ANY WAY RELATING TO THIS AGREEMENT, INCLUDING YOUR USE OF OR INABILITY TO USE THE VLINE OR ANY CLAIM MADE BY A THIRD PARTY (INCLUDING, WITHOUT LIMITATION, LOSS OF REVENUE, PROFITS, DATA OR GOODWILL OR OTHER COMMERCIAL OR ECONOMIC LOSS) REGARDLESS OF THE CAUSE OF ACTION ON WHICH THE CLAIM IS BASED, EVEN IF GROM AUDIO HAS OR YOU HAVE BEEN ADVISED OF THE POSSIBILITY OF SUCH DAMAGES OR CLAIM.

C. GOVERNING LAW. THIS AGREEMENT and all Purchases hereunder shall be governed by, and construed under the laws of the State of California, without regard to conflicts of law rules. You agree that the Courts of California shall have exclusive jurisdiction over the Parties, for all disputes.

D. FORCE MAJEURE. GROM shall not be liable for any delay or failure in performance caused by or resulting from acts of God, fire, flood, storms, earthquakes, tornado, other acts of nature, any accidents, riots, wars, government intervention, embargoes, strikes, labor difficulties, equipment failures, or any other causes beyond the control of GROM AUDIO. Quantities are subject to availability.

E. ENTIRE AGREEMENT. These terms and conditions constitute the entire and exclusive agreement between you, the End-User and GROM AUDIO, concerning the Products, and your purchase hereunder, and supersede all statements or other agreements, whether oral or written, between you and GROM AUDIO. No change in this Agreement shall be effective, unless agreed to in writing by both, you, the end-user and GROM AUDIO.

GROM AUDIO COMPATIBILITY DISCLAIMER

GROM Audio strives to provide you with a high-quality product while

maintaining competitive pricing. We continuously work to test and develop our product, however, in some cases; our interfaces may not be compatible with your application. Due to the wide range of electronics / anomalies found in car stereos, compatibility and/or controls may vary. Should you experience incompatibility issues, you may contact us via our support page. GROM Audio also carries a standard 30 day return policy.

ENGINE/SYSTEM NOISE DISCLAIMER

Engine / system noise may occur in some installations and is not easily predictable. Should noise occur with your system, we will take commercially-reasonable steps to diagnose the source of the noise. Depending on the situation, noise suppressors and filters may need to be installed in order to correct the problem. Due to the nature of electronics, noise may not be correctable in all cases.

IF YOU DO NOT AGREE WITH THESE TERMS AND PURCHASED DIRECTLY FROM GROM AUDIO PLEASE RETURN THE GROM PRODUCTS IN ORIGINAL CONDITION AND IN ORIGINAL PACKAGE WITHIN FIVE (5) BUSINESS DAYS OF RECEIPT OF THE PRODUCTS FOR A FULL REFUND OF THE PURCHASE PRICE OF GROM PRODUCTS (SHIPPING COSTS NON REFUNDABLE).

*iPod®, iPhone®, iPad® are registered trademarks of Apple, Inc. Android® is the registered trademark of Google, Inc. All trademarks or registered trademarks used in this manual are for informational purposes only.